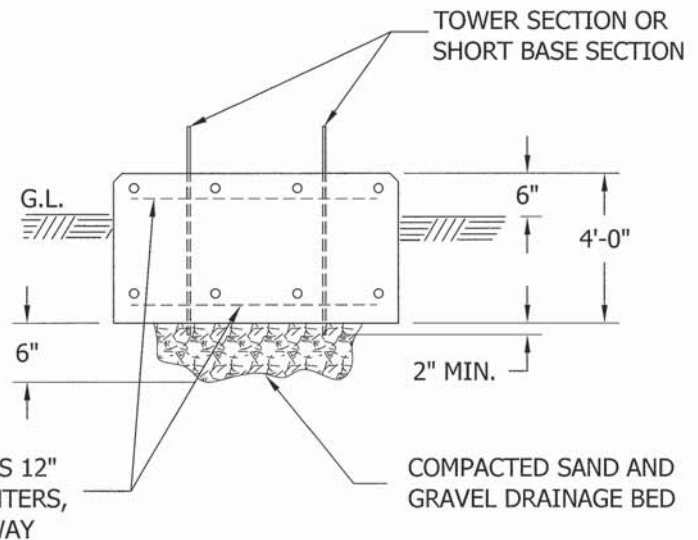


PLAN VIEW



ELEVATION VIEW

TOWER NO.	OVER-TURNING MOMENT FOOT POUNDS	MAX. ALLOW. SHEAR POUNDS	W	CONCRETE REQUIRED CU. YDS.
25G	6,800	700	4'-0"	2.4
45G	12,800	1,600	5'-3"	4.1
55G	22,900	1,600	6'-0"	5.3
65G	49,600	3,800	7'-9"	8.9

GENERAL NOTES

1. FOR REQUIRED MATERIAL SPECIFICATIONS, INSTALLATION NOTES AND TOLERANCES SEE DRAWING NUMBER B841300.
2. SEE DRAWING NUMBER A871266 FOR MAXIMUM TOWER HEIGHTS AND ALLOWABLE ANTENNA AREAS.

FILE NO. Standard-SSV

REVISIONS				
REV	DESCRIPTION	DWN	CHK	APP
1	ADDED INTO AUTOCAD	JDM	JWS	HLA
DATE: Aug/10/2006				

DWG REFERENCE

**ROHN**  
PRODUCTS LLC  
PO BOX 5999  
PEORIA, IL 61601-5999  
TOLL FREE 800-727-ROHN

THIS DRAWING IS THE PROPERTY OF ROHN. IT IS NOT TO BE REPRODUCED, COPIED OR TRACED IN WHOLE OR IN PART WITHOUT OUR WRITTEN CONSENT.

FOUNDATION  
DETAILS SELF-SPRT 25,45,55, & 65 TWRS

DWN: WDU    CHK'D: TWS    DATE: Feb/19/1988

ENGR:                    XK

DRAWING NO: B870725                    REV: 1

Aug/14/2006 11:28:00 AM

3/26/2006